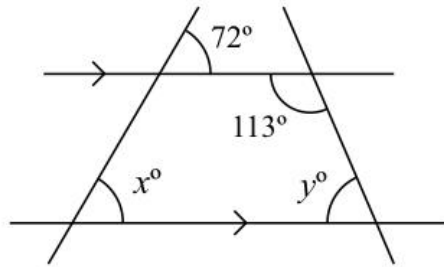
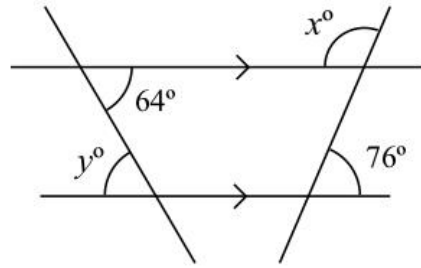


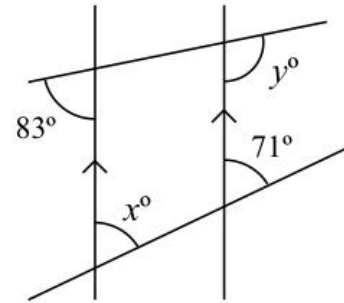
A1 Find the values of x and y



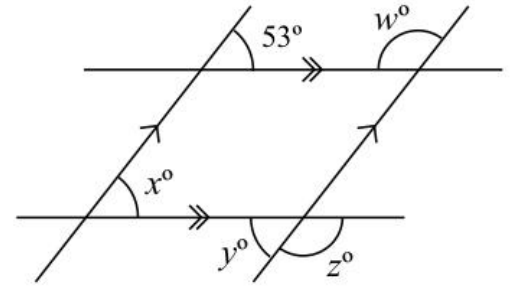
A2 Find the values of x and y



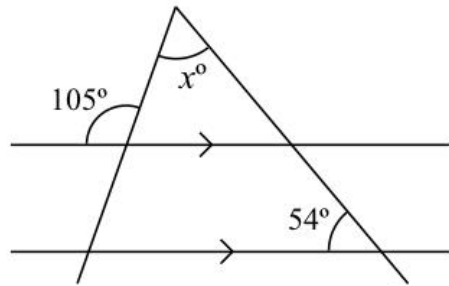
A3 Find the values of x and y



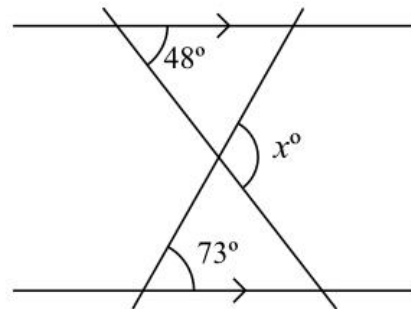
A4 Find the values of x , y , w and z



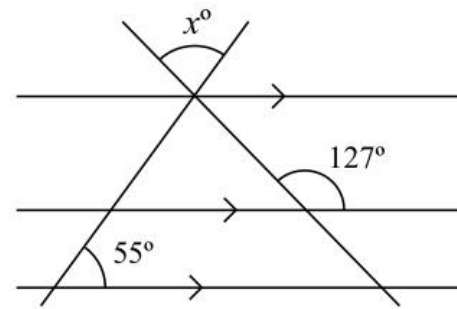
B1 Find the value of x



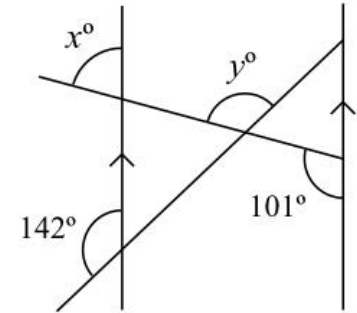
B2 Find the value of x



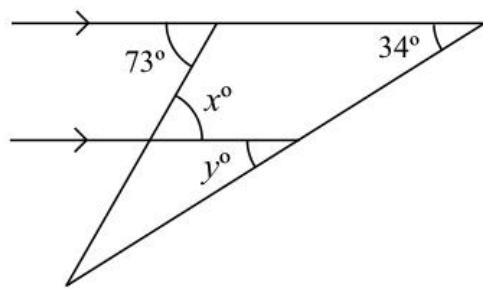
B3 Find the value of x



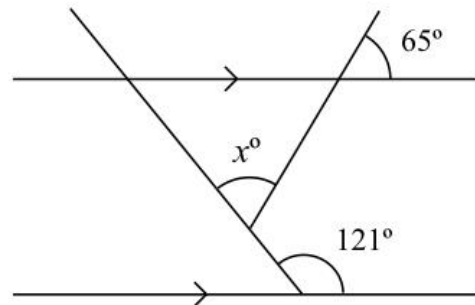
B4 Find the values of x and y



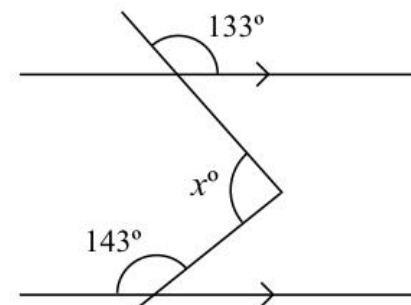
C1 Find the values of x and y



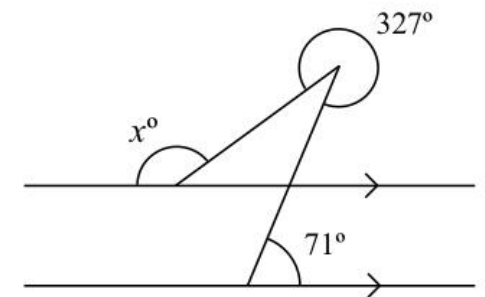
C2 Find the value of x



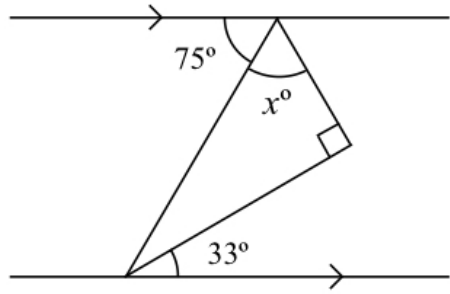
C3 Find the value of x



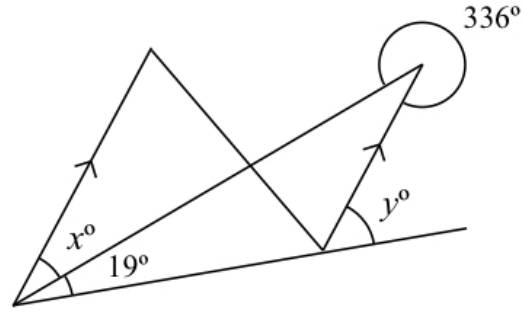
C4 Find the value of x



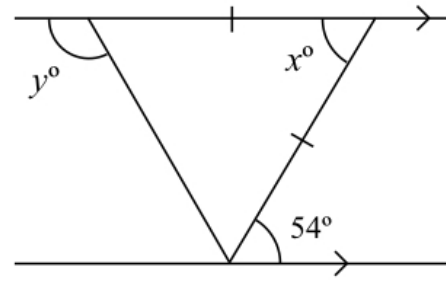
A1 Find the value of x



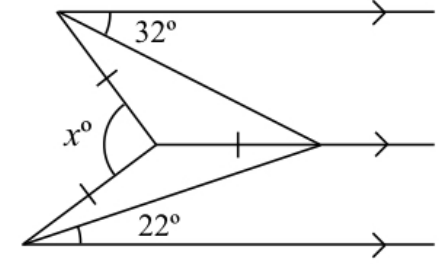
A2 Find the values of x and y



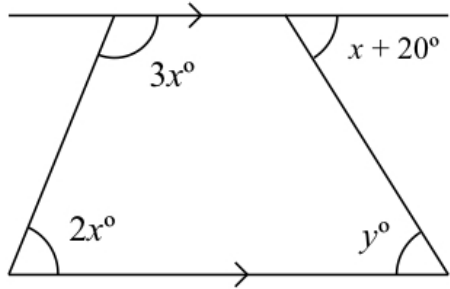
A3 Find the values of x and y



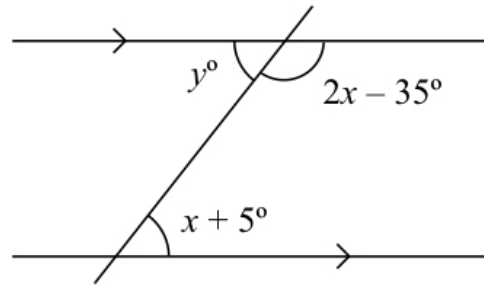
A4 Find the value of x



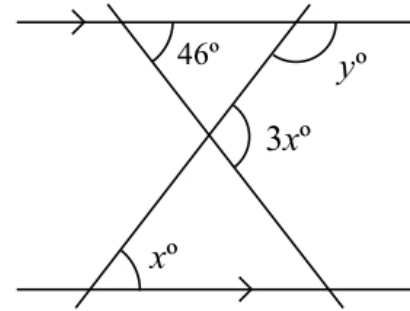
B1 Find the values of x and y



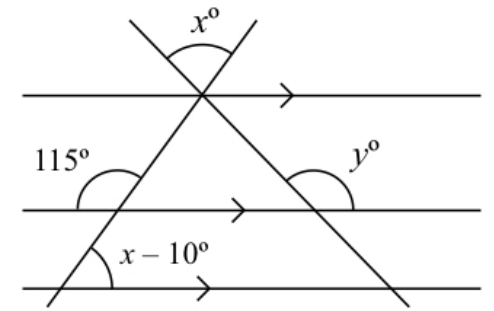
B2 Find the values of x and y



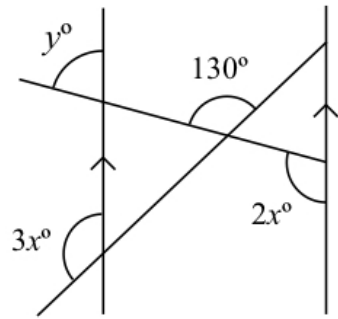
B3 Find the values of x and y



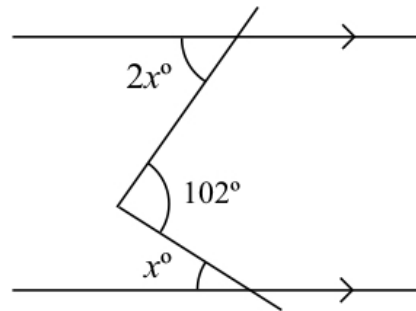
B4 Find the values of x and y



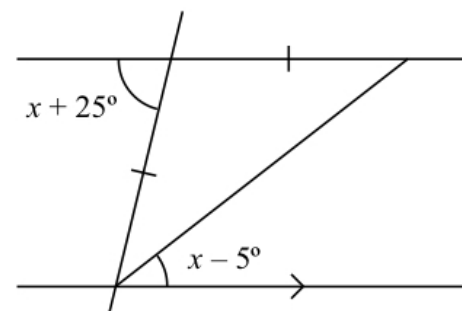
C1 Find the values of x and y



C2 Find the value of x



C3 Find the value of x



C4 Find the value of x

